

End of Line Packaging Solutions

COBOT Monoblock Case Packer



The Clearpack COBOT Monoblock Case Packer is an ideal solution for small-mid volume production where precision and reliability are still of paramount importance. The use of a collaborative robot significantly reduces the footprint. A fence system or cage is not required, and human operators can safely work side-by-side with the robot.

Features:

- Compact foot print
- Collaborative operation enabling co-working of human with machine
- Easy integration with the existing line
- Case packing speed up to 10 to 12 cycles/min based on product dimension and weight
- Payload up to 10 kg. Lower payload model available based on project specification
- Extended case magazine can be included to provide additional case blank storage
- Case bottom sealing either tape or hot-melt
- Easy to install and program. User friendly interface for adding additional formats in future
- Fastest payback



Technical specifications:

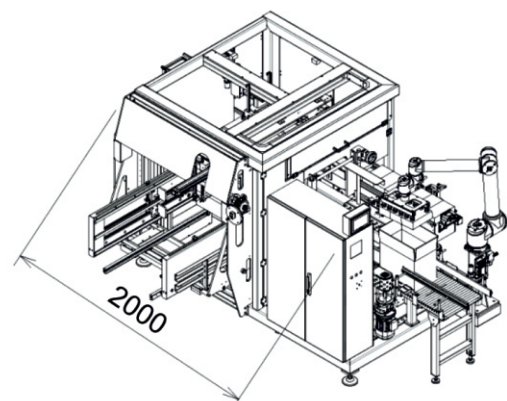
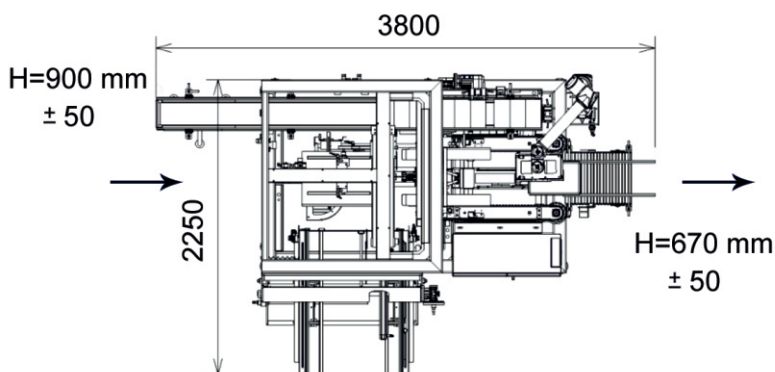
Power supply	400 V - 50 Hz, 3Ph+N+G
Power consumption	1.5 kW
Air pressure	6 Bar
Air consumption	80 NI/min
Cycle	10 per minute
Payload	3 kg, 5 kg and 10 kg
Product Handled	Cartons, Pouches, Bundle, Bottle
Accepted cartons dimensions	Min 350 x 180 x 200 H mm Max 520 x 350 x 400 H mm

Disclaimer: All specifications, design and characteristics shown in this catalogue are subject to change without prior notice



Integrated case erector with case packer

Our Partner | UNIVERSAL ROBOTS



Email: info@clearpack.com | Website: www.clearpack.com