

End of Line Packaging Solutions

Mechanical Case Packer - MCP

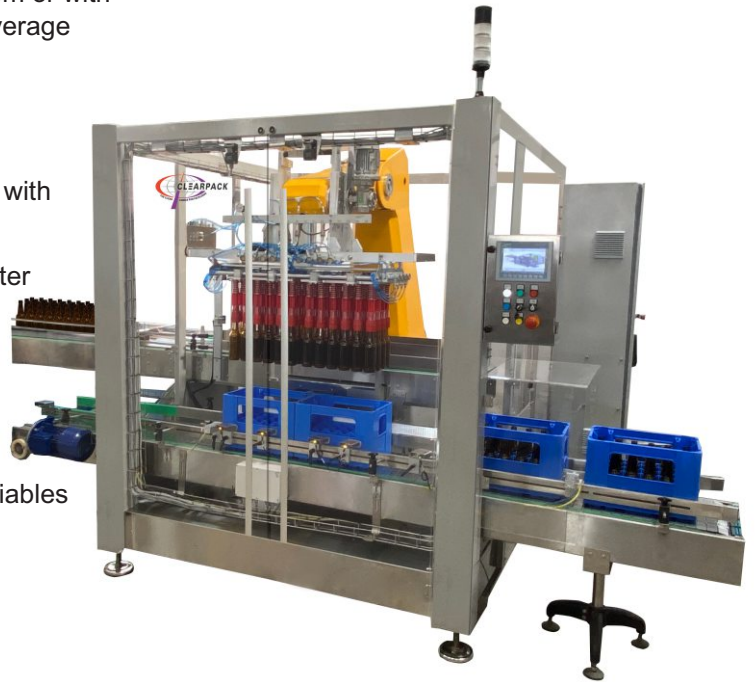


The MCP Series of pick&place case packers are extremely flexible machines designed to pack bottles, cans, jars etc. in RSC cases, tray or crates. It is available in various versions with 1, 2 or pick up heads for production speed of up to 2000 cases per hour.

The picking heads are specially designed according to the product to be handled. They can be fixed type with quick release system or with adjustable pitch. MCP is particularly suitable for Food & beverage

Features:

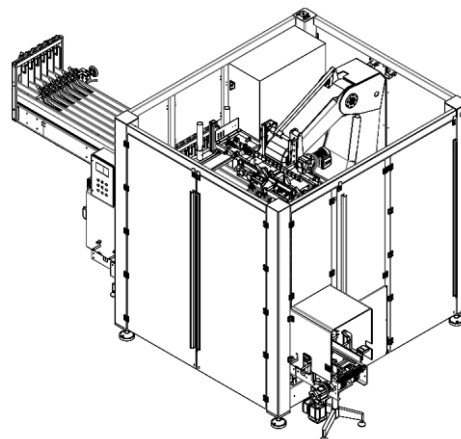
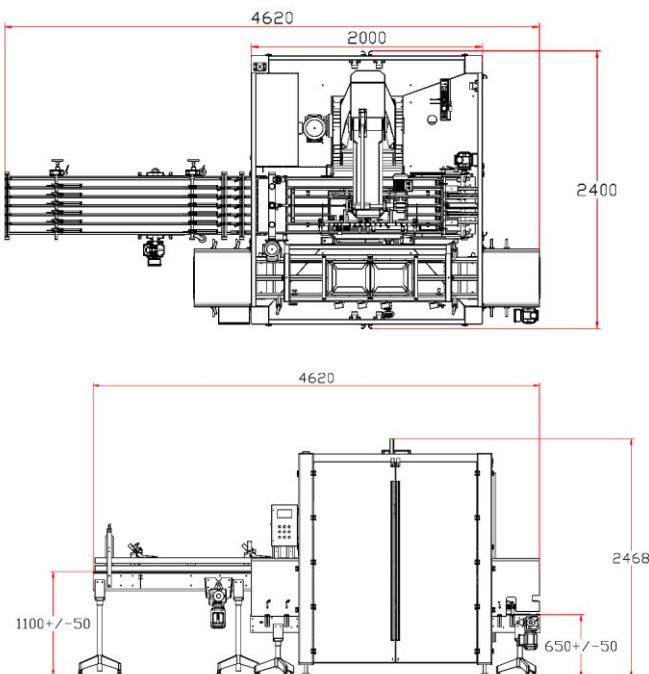
- Simple & robust construction based on mechanical arm with desmodromic cam actuated motion
- Excellent accessibility & visibility of moving parts for better cleaning & maintenance
- Quick and tool free change over
- Compact dimensions & simple to operate
- Gripper Head provided with safety overload detector
- Digital HMI for the setting of production parameters, variables and alarm display integrated into machine structure



Technical specifications:

Machine Weight	1,900 Kg
Power	4 KW; 400 V AC, 50 Hz, 3 phase + Neutral + P.E.
Estimated Air Consumption	80 NL per min @ 6 bar

Disclaimer: All specifications, design and characteristics shown in this catalogue are subject to change without prior notice



Mechanical Gripper



Membrane Gripper



Side Gripper

Email: info@clearpack.com | Website: www.clearpack.com